



QUARTZCOLOR

QUARTZCOLOR is a COSMOLIGHT BRAND

TECHNICAL DATA

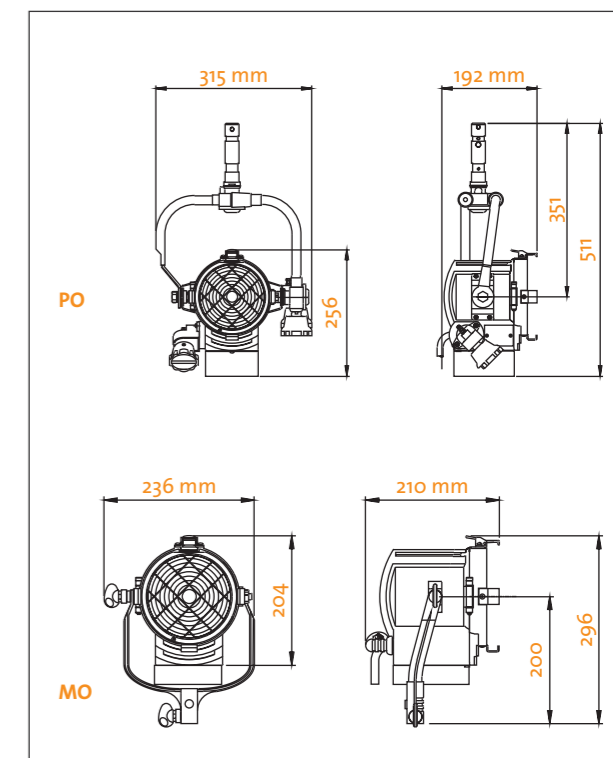
LIGHT SOURCE	Array LEDs
MAX POWER	40W
CORRELATED COLOR TEMPERATURE	Fixed 3200K-5600K
CRI	>90
BEAM ANGLE	19°-51° (3200 K) / 19°-49° (5600 K)
LENS DIAMETER	130 mm
POWER SUPPLY	100-240 Vac, 50/60 Hz, autosensing
POWER FACTOR (cosφ)	0,8
WATERPROOF RATING	IP20
OPERATIONAL TEMPERATURE (Ta)	0°-40°
DIMMING	Electronic 16 bit, fully 0-100%
CONTROL	Local via potentiometer and remote via DMX-RDM Setting, addressing and testing via control panel and via RDM
CONNECTIONS	DMX In and Through 5-Pin XLR
FEATURES	Internal temperature sensor, LCD graphic display with switch off function, silent fan, 3 presetting fan speed
MOUNTING	Manual and Pole Operated stirrup

OPERATIONAL DATA

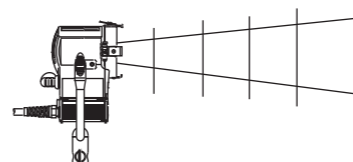
	STUDIO LED X2 MO	STUDIO LED X2 PO
Weight (head)	3,500 Kg	5,050 Kg
Barndoor weight	0,730 Kg	0,730 Kg
Gel frame weight	0,100 Kg	0,100 Kg
Lens diameter	130 mm	130 mm
Barndoor diameter	169 mm	169 mm
Accessory base diameter	170 mm	170 mm

ORDERING CODES

LD27631T	STUDIO LED X2 40W CCT TUNGSTEN PO
LD27631D	STUDIO LED X2 40W CCT DAYLIGHT PO
LD27630T	STUDIO LED X2 40W CCT TUNGSTEN MO
LD27630D	STUDIO LED X2 40W CCT DAYLIGHT MO



PHOTOMETRIC DATA



Typical performance based on 3200K

Distance (m)	3	4	5	7	9
SPOT 19°	1320	743	475	242	147
FLOOD 51°	522	294	188	96	58

Typical performance based on 5600K

Distance (m)	3	4	5	7	9
SPOT 19°	1380	776	497	253	153
FLOOD 49°	553	311	199	102	61