



### TECHNICAL DATA

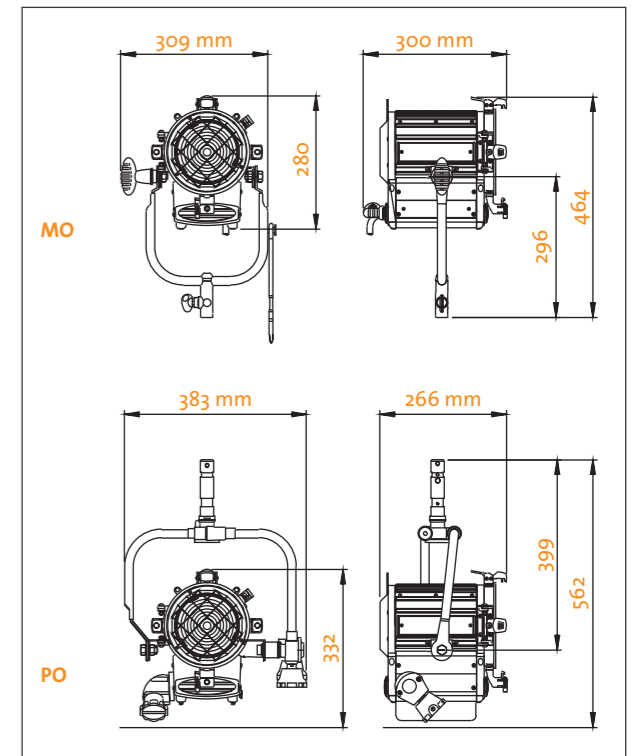
<b>LIGHT SOURCE</b>	Array LEDs
<b>MAX POWER</b>	90W
<b>CORRELATED COLOR TEMPERATURE</b>	Fixed 3200K–5600K
<b>CRI</b>	>90
<b>BEAM ANGLE</b>	21°–68°
<b>LENS DIAMETER</b>	130 mm
<b>POWER SUPPLY</b>	90–260 Vac, 50/60 Hz, autosensing
<b>POWER FACTOR (cosφ)</b>	0,97
<b>WATERPROOF RATING</b>	IP20
<b>OPERATIONAL TEMPERATURE (Ta)</b>	0°–40°
<b>DIMMING</b>	Electronic 16 bit, fully 0–100%
<b>CONTROL</b>	Local via potentiometer and remote via DMX-RDM Setting, addressing and testing via control panel and via RDM
<b>CONNECTIONS</b>	DMX In and Through 5-Pin XLR
<b>FEATURES</b>	Internal temperature sensor, LCD graphic display with switch off function, silent fan, 3 presetting fan speed
<b>MOUNTING</b>	Manual and Pole Operated stirrup

### OPERATIONAL DATA

	STUDIO LED X3 MO	STUDIO LED X3 PO
Weight (head)	5,300 Kg	6,400 Kg
Barndoor weight	0,650 Kg	0,650 Kg
Gel frame weight	0,140 Kg	0,140 Kg
Lens diameter	130 mm	130 mm
Barndoor diameter	200 mm	200 mm
Accessory base diameter	202 mm	202 mm

### ORDERING CODES

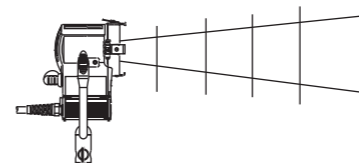
LD27642T	STUDIO LED X3 90W CCT TUNGSTEN PO
LD27642D	STUDIO LED X3 90W CCT DAYLIGHT PO
LD27640T	STUDIO LED X3 90W CCT TUNGSTEN MO
LD27640D	STUDIO LED X3 90W CCT DAYLIGHT MO



**QUARTZCOLOR**

QUARTZCOLOR is a COSMOLIGHT BRAND

### PHOTOMETRIC DATA



#### Typical performance based on 3200K

Distance (m)	3	4	5	7	9
SPOT 21°	2060	1159	742	378	229
FLOOD 68°	590	332	212	108	66

#### Typical performance based on 5600K

Distance (m)	3	4	5	7	9
SPOT 21°	2260	1271	814	415	251
FLOOD 68°	645	363	232	118	72