



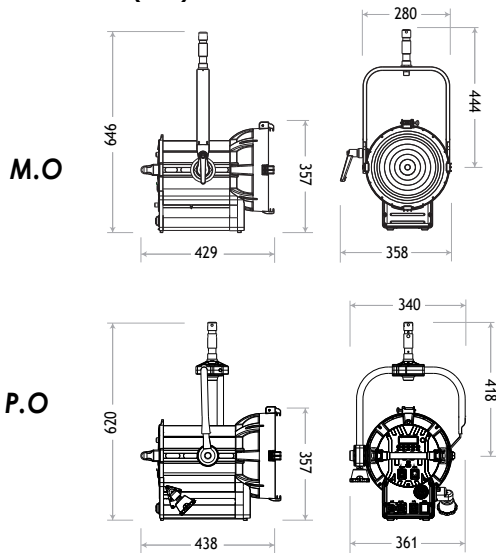
# Apollo 300B

LED CCT SPOT

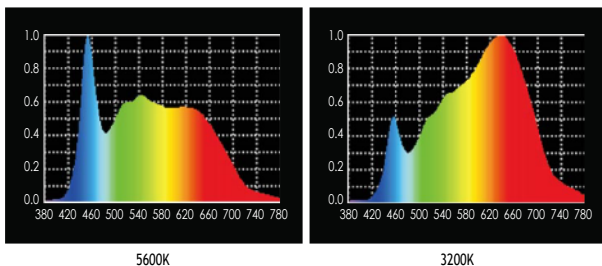
■ LAMPHEAD CONTENTS

- Lamp Housing (black color)
- 4-leaf Rotatable Barndoor with Safety Wire
- M.O. / P.O. Stirrup with Ø28mm (1-1/8 in.) Spigot
- AC Cable

■ DIMENSIONS (mm)



■ SPECTRUM



## APOLLO 300B (Bi-Color)

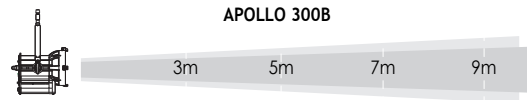
■ SPECIFICATIONS

Identity No.	L0030LFB (M.O.) LP030LFB (P.O.)
Max. Capacity	300W
Voltage	95 - 260V AC, 22-36V DC
Frequency	50Hz / 60Hz
Current	1.4A @220V AC 12.5A @24V DC
Fresnel Lens	Ø250mm
Color Temp. Range	2700K - 6000K
CRI	Average >95
TLCI	Average >95
Dimming Range	0-100%
Control Signal	DMX 512
DMX Channel	3 or 5
LED Lifetime	30,000 Hrs (Estimated)
M.O. / P.O. Stirrup	with Ø28mm (1-1/8 in.) Spigot
Class / IP Rating	1 / IP 23
Max. Surface Temp.	60 °C
Max. Ambient Temp.	45 °C
Operating Range	+45° ~ 0° ~ -45°
Weight (Lamphead)	12 kg (M.O.) 13 kg (P.O.)

■ ACCESSORIES

- Filter Frame
- Safety Cable (for lamphead)

■ PHOTOMETRIC DATA



		APOLLO 300B			
		3m	5m	7m	9m
<b>5600K</b>					
Spot	Lux	25319	9115	4651	2813
15°	Beam Ø	0.79m	1.32m	1.84m	2.37m
Flood	Lux	4864	1751	893	540
55°	Beam Ø	3.12m	5.21m	7.29m	9.37m
<b>3200K</b>					
Spot	Lux	19172	6902	3521	2130
15°	Beam Ø	0.79m	1.32m	1.84m	2.37m
Flood	Lux	3581	1289	658	398
55°	Beam Ø	3.12m	5.21m	7.29m	9.37m

■ HISTOGRAM

