



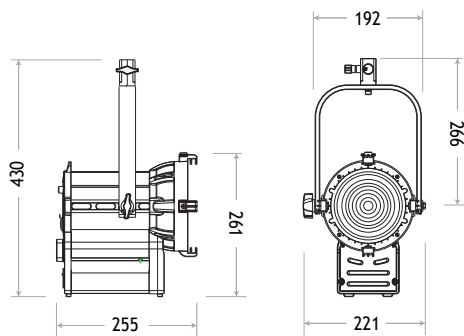
Apollo 90B

LED CCT SPOT

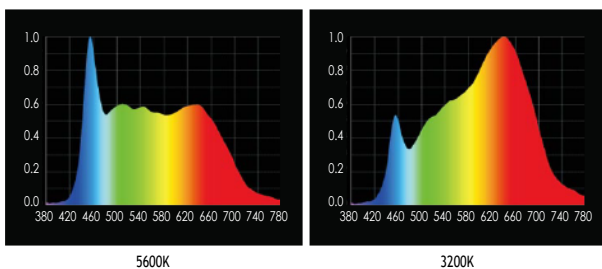
LAMPHEAD CONTENTS

- Lamp Housing (black color)
- 4-leaf Rotatable Barndoor with Safety Wire
- Stirrup with Ø16mm (5/8 in.) Socket
- AC Cable

DIMENSIONS (mm)



SPECTRUM



APOLLO 90B (Bi-Color)

SPECIFICATIONS

Identity No.	L0009LFB
Max. Capacity	90W
Voltage	95 - 260V AC, 22-36V DC
Frequency	50Hz / 60Hz
Current	0.4A @220V AC 3.8A @24V DC
Fresnel Lens	Ø130mm
Color Temp. Range	2700K - 6000K
CRI	Average >95
TLCI	Average >95
Dimming Range	0-100%
Control Signal	DMX 512
DMX Channel	3 or 5
LED Lifetime	30,000 Hrs (Estimated)
Stirrup	with Ø16mm (5/8 in.) Socket
Class / IP Rating	1 / IP 23
Max. Surface Temp.	60 °C
Max. Ambient Temp.	45 °C
Operating Range	+45° - 0° - -45°
Weight (Lamphead)	3 kg

ACCESSORIES

- Filter Frame
- Safety Cable (for lamphead)

PHOTOMETRIC DATA

		APOLLO 90B			
		3m	5m	7m	9m
5600K	Spot Lux	4728	1702	868	525
	15° Beam Ø	0.79m	1.32m	1.84m	2.37m
Flood Lux	55° Beam Ø	1313	473	241	146
		3.12m	5.21m	7.29	9.37m
3200K	Spot Lux	3970	1429	729	441
	15° Beam Ø	0.79m	1.32m	1.84m	2.37m
Flood Lux	55° Beam Ø	1093	393	201	121
		3.12m	5.21m	7.29m	9.37m

HISTOGRAM

