



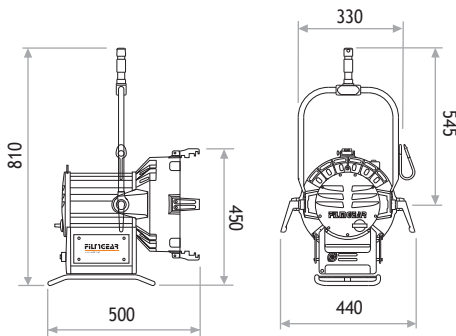
L01200BP

Daylight Par 1200W BIB

SPECIFICATIONS

Identity No.	L01200BP
Capacity	1,200W
Lamp Bulb Voltage	100V
Protective Lens	Ø265mm (10-3/8 in.)
Par Lens	Ø250mm (9-7/8 in.)
Weight (without barndoor)	12.8 kg
Weight (with barndoor)	14.5 kg
Lamp Type	HMI 1200W SE 5600K
Lamp Holder	G38
Stirrup	Ø28mm (1-1/8 in.) Spigot
Class / IP Rating	1 / 20
Max. Surface Temp.	190 °C
Max. Ambient Temp.	45 °C
Min. Distance to Illuminated Object	4 m
Min. Distance to Flammable Object	0.5 m
Operating Range	45° - 0° - 45°

DIMENSIONS (mm)



PHOTOMETRIC DATA

		Distance		
		6m	9m	12m
1200W BIB				
Spot (8°)	Lux Beam Ø	46151 0.84 m	20512 1.26 m	11538 1.68 m
Medium Flood (10° x 20°)	Lux Beam Ø	17885 1.05 x 2.12 m	7949 1.57 x 3.17 m	4471 2.10 x 4.23 m
Wide Flood (20° x 45°)	Lux Beam Ø	5513 2.12 x 4.97 m	2450 3.17 x 7.46 m	1378 4.23 x 9.94 m
Super Wide Flood (40°)	Lux Beam Ø	3066 4.37 m	1363 6.55 m	767 8.74 m
Frosted Super Flood (38°)	Lux Beam Ø	2281 4.13 m	1018 6.20 m	570 8.27 m

PACKAGE CONTENT

- Aluminium Lamp Housing with 4-leaf Rotatable Barndoor with Safety Wire
- Ø265mm (10-3/8 in.) Protective Lens
- Set of 5 Par Lenses Ø250mm (9-7/8 in.) with Frames
- Lens Case
- G38 Lampholder
- Igniter
- Built-in 1200W Electronic Ballast 220V
- Power Cable with In-line Switch
- Stirrup with Ø28mm (1-1/8 in.) Spigot

ACCESSORIES

- 4-leaf Rotatable Barndoor
- Set of 5 Par Lenses Ø250mm (9-7/8 in.) with Frames :
 - Spot, Medium Flood, Wide Flood, Super Wide Flood, Frosted Super Flood
- Lens Case
- Set of 4 Scrim Ø330mm (13 in.) :
 - Full Single Scrim, Full Double Scrim, Half Single Scrim, Half Double Scrim
- Carrying Bag for Scrim Set
- Safety Wire
- Transport Case