



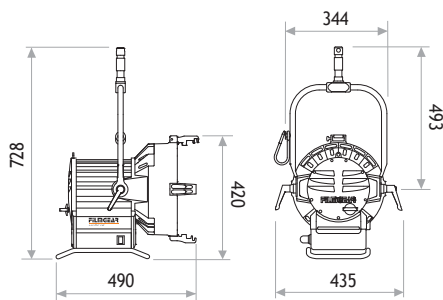
L02500DP

## Daylight Par 2500W

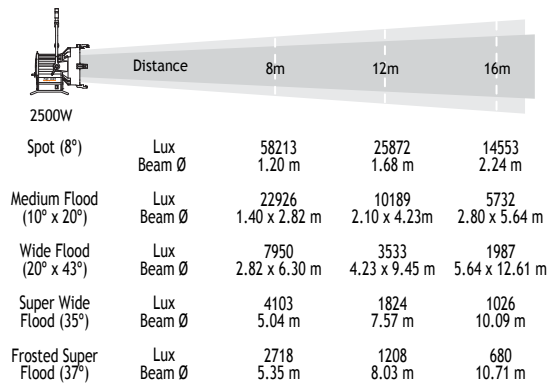
### ■ SPECIFICATIONS

Identity No.	L02500DP
Capacity	2,500W
Lamp Bulb Voltage	115V
Protective Lens	Ø265mm (10-3/8 in.)
Par Lens	Ø250mm (9-7/8 in.)
Weight (without barndoor)	12.7 kg
Weight (with barndoor)	14.4 kg
Lamp Type	HMI 2500W SE 5600K
Lamp Holder	G38
Stirrup	Ø28mm (1-1/8 in.) Spigot
Class / IP Rating	1 / 23
Max. Surface Temp.	160 °C
Max. Ambient Temp.	45 °C
Min. Distance to Illuminated Object	8 m
Min. Distance to Flammable Object	1 m
Operating Range	45° - 0° - 45°

### ■ DIMENSIONS (mm)



### ■ PHOTOMETRIC DATA



### ■ PACKAGE CONTENT

- Aluminium Lamp Housing with 4-leaf Rotatable Barndoor with Safety Wire
- Ø265mm (10-3/8 in.) Protective Lens
- Set of 5 Par Lenses Ø250mm (9-7/8 in.) with Frames
- Lens Case
- G38 Lampholder
- Igniter
- Cable with Multipin Connector
- Stirrup with Ø28mm (1-1/8 in.) Spigot

### ■ ACCESSORIES

- 4kW/2.5kW Electronic Ballast with Multi-Voltage
- 4kW/2.5kW Electronic Ballast
- 2500W Electronic Ballast with Multi-Voltage
- Head to Ballast Cable 7m (23 ft.)
- Head to Ballast Cable 15m (49 ft.)
- 4-leaf Rotatable Barndoor
- Set of 5 Par Lenses Ø250mm (9-7/8 in.) with Frames :
  - Spot, Medium Flood, Wide Flood, Super Wide Flood, Frosted Super Flood
- Lens Case
- Set of 4 Scrims Ø330mm (13 in.) :
  - Full Single Scrim, Full Double Scrim, Half Single Scrim, Half Double Scrim
- Carrying Bag for Scrim Set
- Safety Wire