



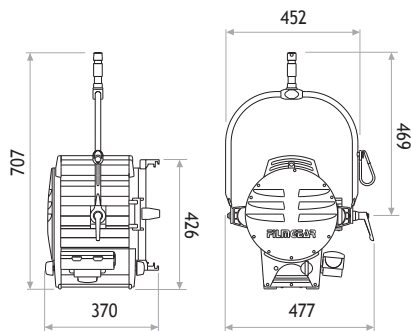
L05000TJ

Tungsten Fresnel 5000W Junior

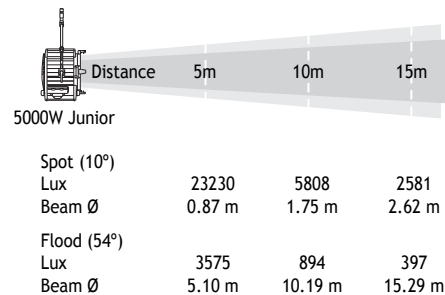
■ SPECIFICATIONS

Identity No.	L05000TJ
Capacity	5,000W
Lamp Bulb Voltage	220V or 110V
Fresnel Lens	Ø250mm (9-7/8 in.)
Weight (without barndoor)	14.4 kg
Weight (with barndoor)	16.1 kg
Lamp Type	5000W SE 3200K
Lamp Holder	G38
Stirrup	Ø28mm (1-1/8 in.) Spigot
Class / IP Rating	1 / 20
Max. Surface Temp.	220 °C
Max. Ambient Temp.	45 °C
Min. Distance to Illuminated Object	5 m
Min. Distance to Flammable Object	1.5 m
Operating Range	38° - 0° - 38°

■ DIMENSIONS (mm)



■ PHOTOMETRIC DATA



■ PACKAGE CONTENT

- Aluminium Lamp Housing with 4-leaf Rotatable Barndoor with Safety Wire
- Ø250mm (9-7/8 in.) Fresnel Lens
- G38 Lampholder
- Stirrup with Ø28mm (1-1/8 in.) Spigot
- 3-core Cable 4m (13 ft.)
- On/Off Switch

■ ACCESSORIES

- 4-leaf Rotatable Barndoor
- Variable Snoot
- Filter Frame
- Set of 4 Scrims Ø330mm (13 in.) :
 - Full Single Scrim
 - Full Double Scrim
 - Half Single Scrim
 - Half Double Scrim
- Carrying Bag for Scrim Set
- Safety Wire