



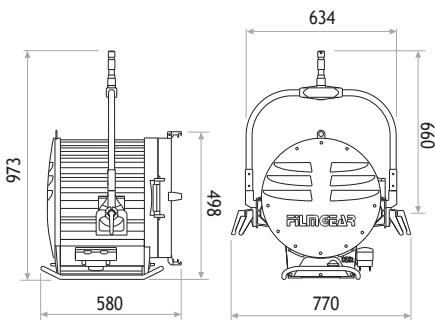
L12010TF

## Tungsten Fresnel 12kW/10kW Studio

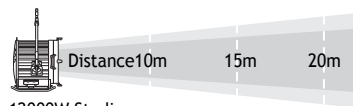
### SPECIFICATIONS

Identity No.	L12010TF
Capacity	12,000W / 10,000W
Lamp Bulb Voltage	220V
Fresnel Lens	Ø450mm (17-3/4 in.)
Weight (without barndoor)	34.0 kg
Weight (with barndoor)	38.9 kg
Lamp Type	12kW/10kW SE 3200K
Lamp Holder	G38
Stirrup	Ø28mm (1-1/8 in.) Spigot
Class / IP Rating	1 / 23
Max. Surface Temp.	220 °C
Max. Ambient Temp.	45 °C
Min. Distance to Illuminated Object	10 m
Min. Distance to Flammable Object	2 m
Operating Range	30° - 0° - 30°

### DIMENSIONS (mm)

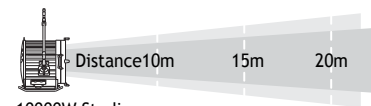


### PHOTOMETRIC DATA



12000W Studio

	10m	15m	20m
Spot (12°)			
Lux	16160	7182	4040
Beam Ø	2.10 m	3.15 m	4.20 m
Flood (62°)			
Lux	2409	1071	602
Beam Ø	12.02 m	18.03 m	24.03 m



10000W Studio

	10m	15m	20m
Spot (13°)			
Lux	13377	5947	3344
Beam Ø	2.28 m	3.42 m	4.56 m
Flood (60°)			
Lux	2016	896	504
Beam Ø	11.55 m	17.32 m	23.09 m

### PACKAGE CONTENT

- Aluminium Lamp Housing with 4-leaf Rotatable Barndoor with Safety Wire
- Ø450mm (17-3/4 in.) Fresnel Lens
- G38 Lampholder
- Stirrup with Ø28mm (1-1/8 in.) Spigot
- 3-core Cable 4m (13 ft.)
- On/Off Switch

### ACCESSORIES

- 4-leaf Rotatable Barndoor
- Filter Frame
- Set of 4 Scrim Ø533mm (21 in.) :
  - Full Single Scrim
  - Full Double Scrim
  - Half Single Scrim
  - Half Double Scrim
- Carrying Bag for Scrim Set
- Safety Wire