



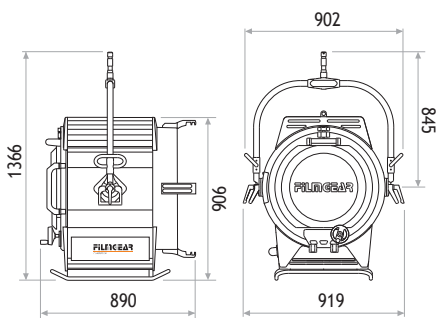
L24020TF

## Tungsten Fresnel 24kW/20kW Studio

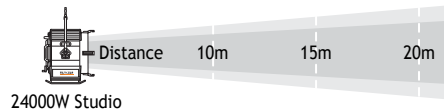
### ■ SPECIFICATIONS

Identity No.	L24020TF
Capacity	24,000W / 20,000W
Lamp Bulb Voltage	220V
Fresnel Lens	Ø625mm (24-5/8 in.)
Weight (without barndoor)	63.0 kg
Weight (with barndoor)	69.5 kg
Lamp Type	24kW/20kW SE 3200K
Lamp Holder	G38
Stirrup	Ø28mm (1-1/8 in.) Spigot
Class / IP Rating	1 / 23
Max. Surface Temp.	240 °C
Max. Ambient Temp.	45 °C
Min. Distance to Illuminated Object	12 m
Min. Distance to Flammable Object	2.5 m
Operating Range	30° - 0° - 30°

### ■ DIMENSIONS (mm)



### ■ PHOTOMETRIC DATA



	10m	15m	20m
Spot (13°)			
Lux	46763	20784	11691
Beam Ø	2.28 m	3.42 m	4.56 m
Flood (56°)			
Lux	8019	3564	2005
Beam Ø	10.63 m	15.95 m	21.27 m

### ■ PACKAGE CONTENT

- Aluminium Lamp Housing with 4-leaf Rotatable Barndoor with Safety Wire
- Ø625mm (24-5/8 in.) Fresnel Lens
- G38 Lampholder
- Stirrup with Ø28mm (1-1/8 in.) Spigot
- 3-core Cable 2.5m (8-1/5 ft.)

### ■ ACCESSORIES

- 4-leaf Rotatable Barndoor
- Set of 4 Scrim Ø737mm (29 in.) :
  - Full Single Scrim
  - Full Double Scrim
  - Half Single Scrim
  - Half Double Scrim
- Carrying Bag for Scrim Set
- Safety Wire
- 24kW/12kW Electronic Dimmer
- Lamphead to Dimmer Connecting Cable 15m (49 ft.)
- Lamphead to Dimmer Connecting Cable 20m (66 ft.)

### ■ 24kW/12kW Electronic Dimmer

Capacity	24,000W / 12,000W
Voltage	190V - 240V (50Hz)
Dimming Range	0 - 100 %
Weight	18.5 kg
Class / IP Rating	1 / 23

