



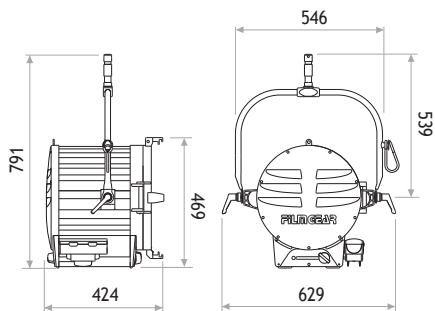
L05000TF

## Tungsten Fresnel 5000W Studio

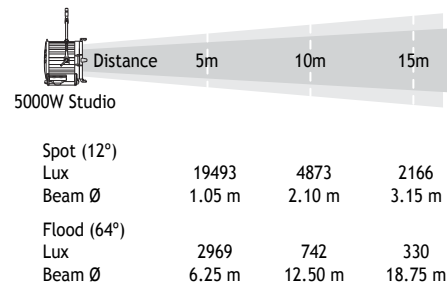
### ■ SPECIFICATIONS

Identity No.	L05000TF
Capacity	5,000W
Lamp Bulb Voltage	220V or 110V
Fresnel Lens	Ø300mm (11-3/4 in.)
Weight (without barndoor)	16.3 kg
Weight (with barndoor)	18.8 kg
Lamp Type	5000W SE 3200K
Lamp Holder	G38
Stirrup	Ø28mm (1-1/8 in.) Spigot
Class / IP Rating	1 / 23
Max. Surface Temp.	210 °C
Max. Ambient Temp.	45 °C
Min. Distance to Illuminated Object	5 m
Min. Distance to Flammable Object	1.5 m
Operating Range	38° - 0° - 38°

### ■ DIMENSIONS (mm)



### ■ PHOTOMETRIC DATA



### ■ PACKAGE CONTENT

- Aluminium Lamp Housing with 4-leaf Rotatable Barndoor with Safety Wire
- Ø300mm (11-3/4 in.) Fresnel Lens
- G38 Lampholder
- Stirrup with Ø28mm (1-1/8 in.) Spigot
- 3-core Cable 4m (13 ft.)
- On/Off Switch

### ■ ACCESSORIES

- 4-leaf Rotatable Barndoor
- Variable Snoot
- Filter Frame
- Set of 4 Scrims Ø394mm (15-1/2 in.) :
  - Full Single Scrim
  - Full Double Scrim
  - Half Single Scrim
  - Half Double Scrim
- Carrying Bag for Scrim Set
- Safety Wire