

LFB 150

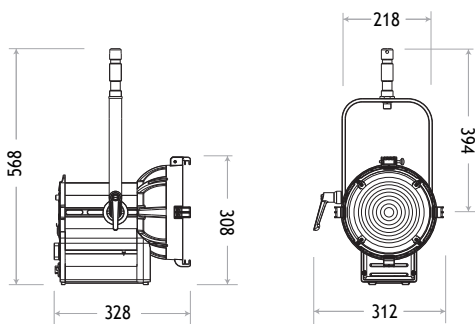


LED SPOT 150 (Bi-Color 2700K-6000K)

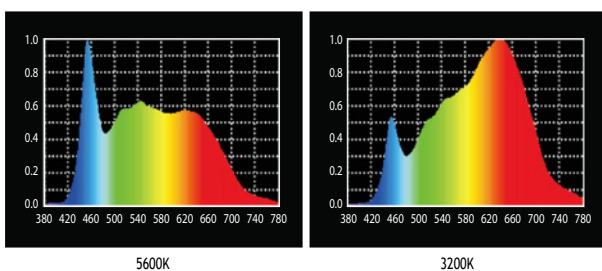
LAMPHEAD CONTENTS

- Lamp Housing (black color)
- 4-leaf Rotatable Barndoor with Safety Wire
- Stirrup with Ø28mm (1-1/8 in.) Spigot
- AC Cable

DIMENSIONS (mm)



SPECTRUM



5600K

3200K

LED Spot 150 (Bi-Color)

SPECIFICATIONS

Identity No.	L0015LFB
Max. Capacity	150W
Voltage	95 - 260V AC, 22-36V DC
Frequency	50Hz / 60Hz
Current	0.7A @220V AC 6.2A @24V DC
Fresnel Lens	Ø175mm
Color Temp.	Adjustable 2700K - 6000K
CRI	>95
TLCI	>95
Dimming Range	0-100%
Control Signal	DMX 512
DMX Channel	2
LED Life	Approx. 30,000 Hrs
Stirrup	Ø28mm (1-1/8 in.) Spigot
Class / IP Rating	1 / IP 23
Max. Surface Temp.	60 °C
Max. Ambient Temp.	35 °C
Operating Range	+45° - 0° - -45°
Weight (Lamphead)	5.0 kg

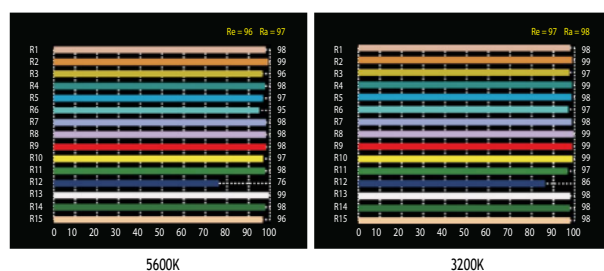
ACCESSORIES

- Filter Frame
- Safety Cable (for lamphead)

PHOTOMETRIC DATA

		LED Spot 150			
		3m	5m	7m	9m
5600K					
Spot	Lux	11433	4116	2100	1270
15°	Beam Ø	0.79m	1.32m	1.84m	2.37m
Flood	Lux	2333	840	429	259
55°	Beam Ø	3.12m	5.21m	7.29m	9.37m
3200K					
Spot	Lux	8653	3115	1589	961
15°	Beam Ø	0.79m	1.32m	1.32m	2.37m
Flood	Lux	1913	689	351	213
55°	Beam Ø	3.12m	5.21m	7.29m	9.37m

HISTOGRAM



5600K

3200K