

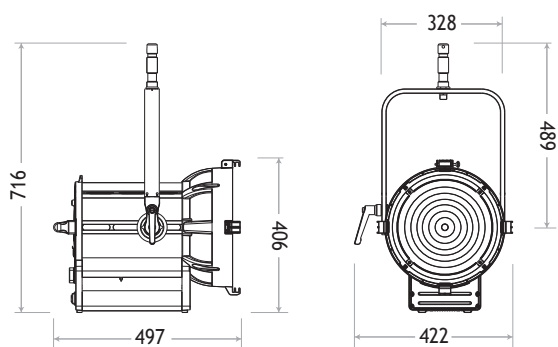


LED SPOT 500 (Daylight or Tungsten)

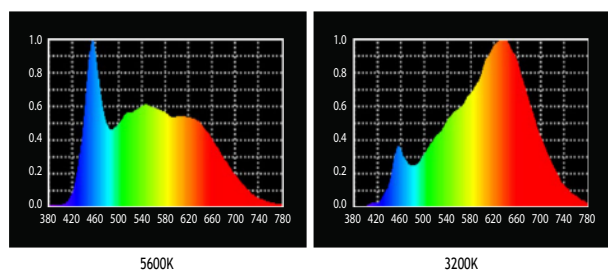
LAMPHEAD CONTENTS

- Lamp Housing
- 4-leaf Rotatable Barndoor with Safety Wire
- Stirrup with Ø28mm (1-1/8 in.) Spigot
- AC Cable

DIMENSIONS (mm)



SPECTRUM



LED Spot 500 (Daylight or Tungsten)

SPECIFICATIONS

Identity No.	L0050LFD (Daylight) L0050LFT (Tungsten)
Max. Capacity	500W
Voltage	95 - 260V AC
Frequency	50Hz / 60Hz
Current	2.3A @220V AC
Fresnel Lens	Ø250mm
Color Temp.	5600K or 3200K
CRI	>95
TLCI	>95
Dimming Range	0-100%
Control Signal	DMX 512
DMX Channel	2
LED Life	Approx. 30,000 Hrs
Stirrup	Ø28mm (1-1/8 in.) Spigot
Class / IP Rating	1 / IP 23
Max. Surface Temp.	60 °C
Max. Ambient Temp.	35 °C
Operating Range	+45° - 0° - -45°
Weight (Lamphead)	15.0 kg

ACCESSORIES

- Filter Frame
- Safety Cable (for lamphead)

PHOTOMETRIC DATA

		LED Spot 500			
		3m	5m	7m	9m
5600K					
Spot	Lux	27747	9989	5096	3083
	Beam Ø	0.79m	1.32m	1.84m	2.37m
Flood	Lux	7487	2695	1375	832
	Beam Ø	3.12m	5.21m	7.29m	9.37m
3200K					
Spot	Lux	22903	8245	4207	2545
	Beam Ø	0.79m	1.32m	1.84m	2.37m
Flood	Lux	7551	2718	1387	839
	Beam Ø	3.12m	5.21m	7.29m	9.37m

HISTOGRAM

