

# LFB 90

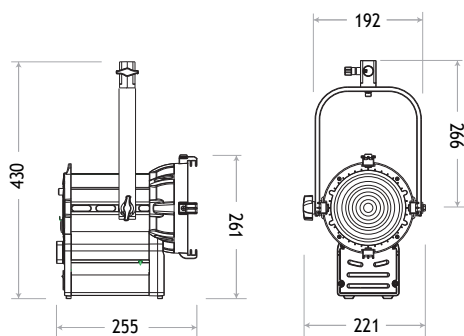


## LED SPOT 90 (Bi-Color 2700K-6000K)

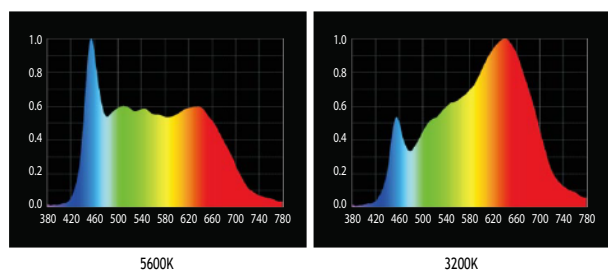
### LAMPHEAD CONTENTS

- Lamp Housing (black color)
- 4-leaf Rotatable Barndoor with Safety Wire
- Stirrup with Ø16mm (5/8 in.) Socket
- AC Cable

### DIMENSIONS (mm)



### SPECTRUM



## LED Spot 90 (Bi-Color)

### SPECIFICATIONS

Identity No.	L0009LFB
Max. Capacity	90W
Voltage	95 - 260V AC
Frequency	50Hz / 60Hz
Current	0.4A @220V AC
Fresnel Lens	Ø130mm
Color Temp.	Adjustable 2700K - 6000K
CRI	>95
TLCI	>95
Dimming Range	0-100%
Control Signal	DMX 512
DMX Channel	2
LED Life	Approx. 30,000 Hrs
Stirrup	Ø16mm (5/8 in.) Socket
Class / IP Rating	1 / IP 23
Max. Surface Temp.	60 °C
Max. Ambient Temp.	35 °C
Operating Range	+45° - 0° - -45°
Weight (Lamphead)	3.0 kg

### ACCESSORIES

- Filter Frame
- Safety Cable (for lamphead)

### PHOTOMETRIC DATA

		LED Spot 90			
		3m	5m	7m	9m
<b>5600K</b>					
Spot	Lux	4728	1702	868	525
15°	Beam Ø	0.79m	1.32m	1.84m	2.37m
Flood	Lux	1313	473	241	146
55°	Beam Ø	3.12m	5.21m	7.29	9.37m
<b>3200K</b>					
Spot	Lux	3970	1429	729	441
15°	Beam Ø	0.79m	1.32m	1.84m	2.37m
Flood	Lux	1093	393	201	121
55°	Beam Ø	3.12m	5.21m	7.29m	9.37m

### HISTOGRAM

