



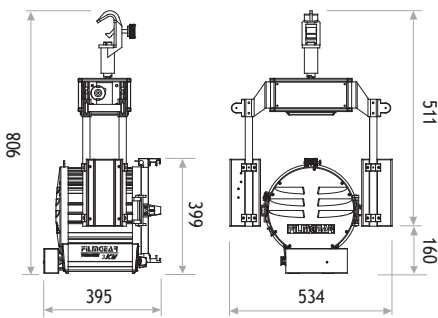
X0200TMY

## MF2000

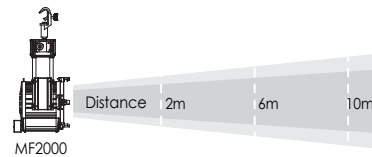
### ■ SPECIFICATIONS

|                                     |                          |
|-------------------------------------|--------------------------|
| Identity No.                        | X0200TMY                 |
| Capacity                            | 2,000W                   |
| Lamp Bulb Voltage                   | 220V                     |
| Fresnel Lens                        | Ø250mm (9-7/8 in.)       |
| Weight(w/ Motor Yoke)               | 24.5kg                   |
| Lamp Type                           | 2000W SE 3200K           |
| Lamp Holder                         | G38                      |
| Stirrup                             | Ø28mm (1-1/8 in.) Spigot |
| Class / IP Rating                   | Class 1, IP Rating 23    |
| Max. Surface Temp.                  | 190°C                    |
| Max. Ambient Temp.                  | 45°C                     |
| Min. Distance to Illuminated Object | 2m                       |
| Min. Distance to Flammable Object   | 1m                       |
| Operating Range                     | 45° - 0° - 45°           |

### ■ DIMENSIONS (mm)



### ■ PHOTOMETRIC DATA



|             | 2m     | 6m     | 10m    |
|-------------|--------|--------|--------|
| Spot (9°)   |        |        |        |
| Lux         | 95319  | 10591  | 3813   |
| Beam Ø      | 0.31 m | 0.94 m | 1.57 m |
| Flood (52°) |        |        |        |
| Lux         | 10933  | 1215   | 437    |
| Beam Ø      | 1.95 m | 5.85 m | 9.75 m |

### ■ MOTOR YOKE SPECIFICATIONS

| Movement | DC Motor Capacity (Max.Load) | Max. Moving Angle | Time per Max. Distance |                 | DMX Channel | DMX Address    |
|----------|------------------------------|-------------------|------------------------|-----------------|-------------|----------------|
|          |                              |                   | Max.Speed Time         | Mini Speed Time |             |                |
| Pan      | 40W                          | 340°              | 20 second              | 60 second       | 3           | 1 - Pan        |
|          |                              |                   |                        |                 |             | 2 - Pan Fine   |
|          |                              |                   |                        |                 |             | 3 - Pan Speed  |
| Tilt     | 40W                          | 90°               | 10 second              | 30 second       | 3           | 4 - Tilt       |
|          |                              |                   |                        |                 |             | 5 - Tilt Fine  |
|          |                              |                   |                        |                 |             | 6 - Tilt Speed |
| Focus    | 6W                           | 5 x 360°          | 15 second              | 45 second       | 2           | 7 - Focus      |
|          |                              |                   |                        |                 |             | 8 - Focus Fine |