



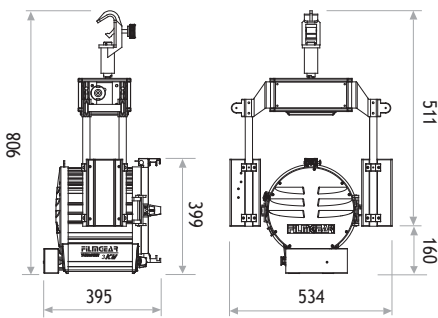
X0300TMY

## MF3000

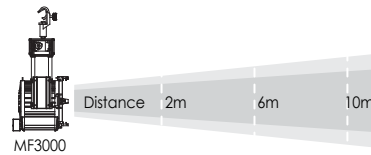
### ■ SPECIFICATIONS

Identity No.	X0300TMY
Capacity	3,000W
Lamp Bulb Voltage	220V
Fresnel Lens	Ø250mm (9-7/8 in.)
Weight(w/ Motor Yoke)	24.5kg
Lamp Type	3000W SE 3200K
Lamp Holder	G38
Stirrup	Ø28mm (1-1/8 in.) Spigot
Class / IP Rating	Class 1, IP Rating 23
Max. Surface Temp.	195°C
Max. Ambient Temp.	45°C
Min. Distance to Illuminated Object	4m
Min. Distance to Flammable Object	1.2m
Operating Range	45° - 0° - 45°

### ■ DIMENSIONS (mm)



### ■ PHOTOMETRIC DATA



Spot (8.5°)	2m	6m	10m
Lux	131300	14589	5252
Beam Ø	0.30 m	0.89 m	1.49 m
Flood (54°)	2m	6m	10m
Lux	12564	1396	503
Beam Ø	2.04 m	6.11 m	10.19 m

### ■ MOTOR YOKE SPECIFICATIONS

Movement	DC Motor Capacity (Max.Load)	Max. Moving Angle	Time per Max. Distance		DMX Channel	DMX Address
			Max.Speed Time	Mini Speed Time		
Pan	40W	340°	20 second	60 second	3	1 - Pan
						2 - Pan Fine
						3 - Pan Speed
Tilt	40W	90°	10 second	30 second	3	4 - Tilt
						5 - Tilt Fine
						6 - Tilt Speed
Focus	6W	5 x 360°	15 second	45 second	2	7 - Focus
						8 - Focus Fine