



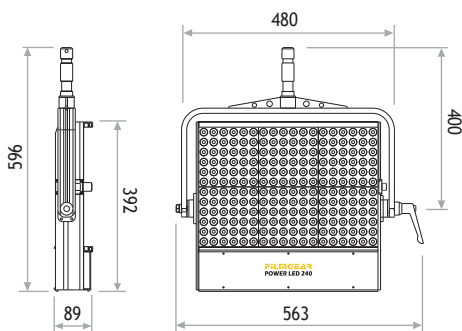
L00240PL

## POWER LED 240

### ■ SPECIFICATIONS

Identity No.	L00240PL
Capacity	240W
Input Voltage	220V/110V 15V - 30V DC
Input Current	1.2A @220V 50Hz 2.4A @110V 60Hz
Dimming Range	0% - 100%
Stirrup	Ø28mm (1-1/8 in.) Spigot
Class / IP Rating	1 / 22
Max. Ambient Temp.	50 °C (122 °F)
Weight	14.0 kg

### ■ DIMENSIONS (mm)



### ■ PHOTOMETRIC DATA

