



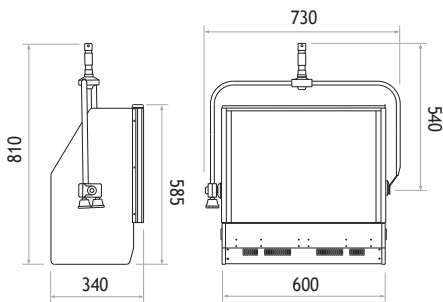
L0500PSO (P.O.)  
L05000SO

## Softlight 5000W

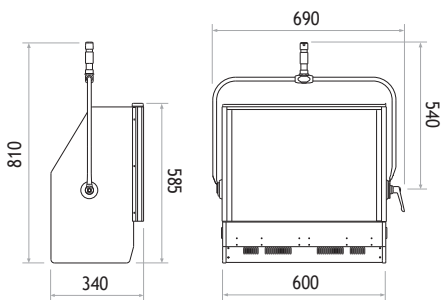
### ■ SPECIFICATIONS

Identity No.	L0500PSO	L05000SO
Capacity	1,250W x 4	1,250W x 4
Voltage	220V or 110V	220V or 110V
Lamp Type	P2/12 1250W 230V or FFT 1000W 120V	P2/12 1250W 230V or FFT 1000W 120V
Color Temp.	3200K	3200K
Lamp Holder	R7s	R7s
Stirrup	Ø28mm (1-1/8 in.) Spigot Pole Operated	Ø28mm (1-1/8 in.) Spigot
Weight	18.5 kg	17.0 kg

### ■ DIMENSIONS (mm)

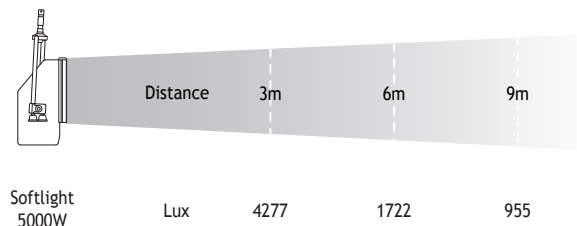


L0500PSO (P.O.)



L05000SO

### ■ PHOTOMETRIC DATA



### ■ PACKAGE CONTENT

- Lamp housing
- Wire Guard
- Ceramic lampholder
- On/Off switch
- Stirrup with Ø28mm(1-1/8 in.) spigot / with Pole Operated

### ■ ACCESSORIES

- Eggcrate
- Pole Operated Stirrup
- Filter Frame & Safety Bond