

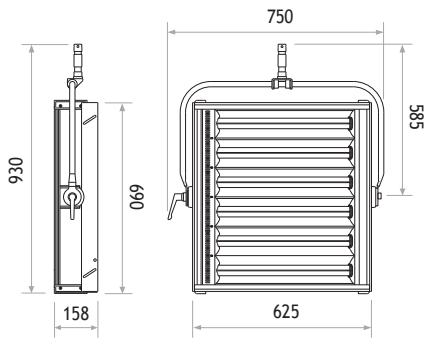
U-Flo 6



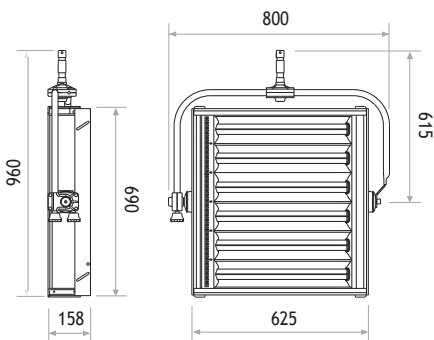
SPECIFICATIONS

| | |
|------------------------------|--|
| Identity No. | L06000UF (M.O.) L060D0UF (M.O. / DMX) L0600PUF (P.O.) L060DPUF (P.O. / DMX) |
| Capacity | 330W (55W x 6) |
| Voltage | 190V - 250V |
| Frequency | 50Hz - 60Hz |
| Input Current | 1.5A @220V |
| Power Factor | 0.99 |
| Efficiency | 92% |
| Dimming Control by DMX | 1% - 100% |
| Fusing | 5A |
| Tube Type | 55W 21" CFL |
| Color Temp. | 5600K / 3200K |
| Lamp Holder | 2G11 |
| Stirrup with M.O. / P.O. | Ø28mm (1-1/8 in.) Spigot |
| Class / IP Rating | 1 / IP 21 |
| Max. Ambient Temp. | 50°C (122°F) |
| Operation Range | +45° - 0° - -45° |
| Weight (Lamphead with Tubes) | 11.7 kg (M.O.) 13.8 kg (P.O.) |

DIMENSIONS (mm)



M.O.



P.O.

* (M.O.) = Manual Operated
(P.O.) = Pole Operated

PHOTOMETRIC DATA

| 6 Bank | | 1.5m | 2.0m | 3.0m |
|---|----------|-----------------------|-----------------------|----------------------|
| Beam Angle (64° x 48°) | Lux Beam | 2120 1.87 x 1.34 m | 1190 2.50 x 1.78 m | 530 3.75 x 2.67 m |
| With Intensifier - Gloss Beam Angle (50° x 43°) | Lux Beam | 3500 1.41 x 1.18 m | 1970 1.87 x 1.58 m | 880 2.80 x 2.36 m |
| With Reflective Barndoor - Embossed Beam Angle (54° x 40°) | Lux Beam | 3200 1.53 x 1.09 m | 1800 2.04 x 1.46 m | 800 3.08 x 2.18 m |
| With Honey Comb Beam Angle (46° x 38°) | Lux Beam | 1780 1.27 x 1.03 m | 1000 1.70 x 1.38 m | 450 2.55 x 2.07 m |

LAMPHEAD CONTENTS

- Lamp Housing without Tubes
- Bulti-in Electronic Ballast
- Power Cable with Connector
- Stirrup with Ø28mm (1-1/8 in.) Spigot
- Pole Operated Stirrup (for P.O.)

ACCESSORIES

- Reflective Barndoor
- Intensifier
- Honeycomb
- Eggcrate
- Filter Frame
- Safety Cable (for lamphead)