

- PM600X30** - Drop up to 3,3m lifting capacity 40Kg - 60Kg with top special bracket
- PM600X40** - Drop up to 4,0m lifting capacity 40Kg - 60Kg with top special bracket
- PM600X50** - Drop up to 5,2m lifting capacity 40Kg - 60Kg with top special bracket
- PM600X60** - Drop up to 6,0m lifting capacity 40Kg - 60Kg with top special bracket

PM600 pantographs are ideally suited for use in TV studios with ceilings up to 7.5 metres high; in combination with motorised hoists with long batten pipe that would otherwise prevent accurate positioning of lights; or for accurate positioning of lights and key accessories in architectural and theatrical installations.



TEYCORIG are pleased to introduce the new X-FLY60 series of PO manual pantographs. Made in aluminium, our new pantographs cover drops of up to 6 metres and take up to 40 kilos of load as standard, and up to 60 kilos when used with a specially designed upper attachment accessory, (PA862).

Brand new, extremely compact, aluminium transmission group.

With a failsafe anti-reverse mechanism and a reduction ratio of 1:16, they provide the perfect compromise between lifting power and speed.

New "PO" Operating Pole attachment guarantees safe and secure pole coupling and operation, even at 6 metres.

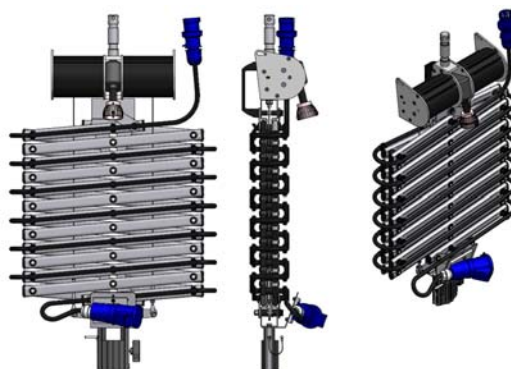
New drum winding system, with accurate cable router to avoid rope cross winding, and user-adjustable mechanical end stop.

Transmission group has an ergonomic service handle.

New aluminium pantograph arms, with a torsion-resistant oval-shaped profile and a stabilizing bushing pin assembly, guarantee exceptional stability and smooth movement.

New stabilization system with double guides, made entirely from steel, with precision-engineered bushing pin assemblies.

New cable equalizer, made from steel, with self-stabilizing trapezoid profile.

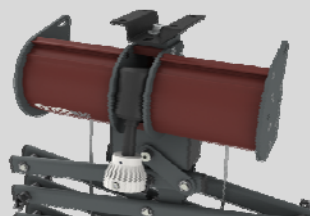


Optional Circuits are available on request 16/20/32A with CE/IEC309/UL-NEMA /DMX/ETH/Plugs and Sockets.

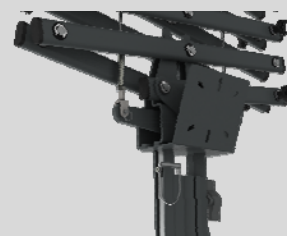
Designed to meet DIN/EN 15560/46 and BGVC1 standard



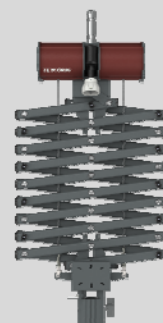
Detail on top gear group and scissor guide with 28mm standard spigot.



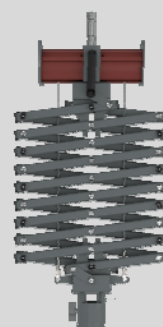
Detail for top special bracket (PA862) to be installed on request to get 60Kg lifting capacity



Detail on bottom scissors guide with ropes stabilizer device on trapezoid profile, socket plate with multi holes supplied as standard, bottom 29mm bushing available as standard or with universal 16/29mm bushing and 16mm spigot



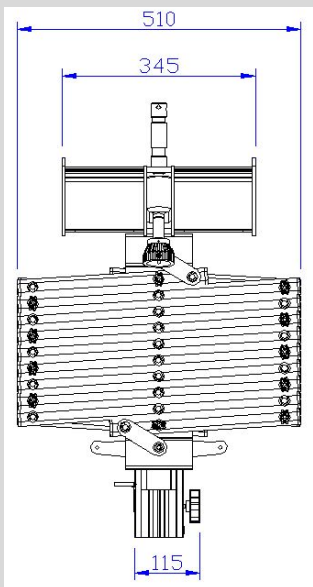
X-FLY60 Front view



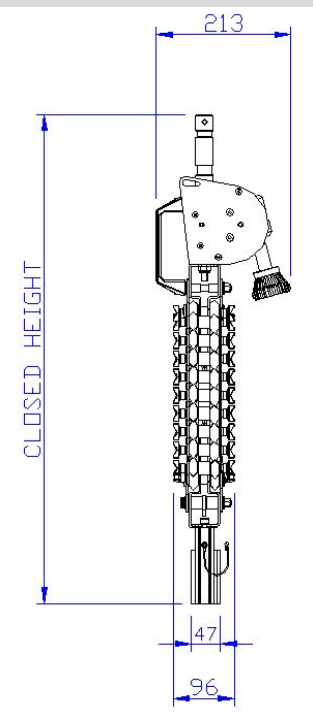
X-FLY60 Rear view

Built according CE/UL regulation, and safety standards EN954.1 - EN 60439-1 CWA 15902- EN15560/46- BGV-C1

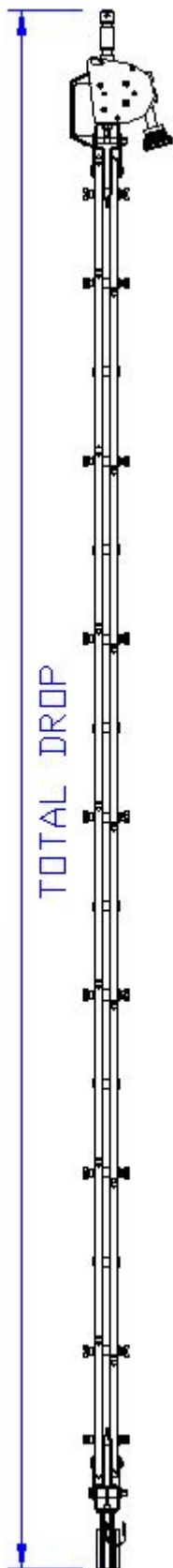
PM600 dimensional data



Front view



Side view



X-FLY60 - PO Manual Pantograph - Specification data		PM600X30	PM600X40	PM600X50	PM600X60
Pantograph Model					
Working Load Limit (WLL) Kg		40	40	40	40
Working Load Limit with special top fixing (WLL) Kg		60	60	60	60
Total drop (B) mm		3300	4000	5200	6000
Closed height (A) mm		750	810	900	960
Scissor width (mm) (net/with cable)		510/570	510/570	510/570	510/570
Scissor depth (mm) (net/with cable)		50/115	50/115	50/115	50/115
Scissor group oval shape		aluminium	aluminium	aluminium	aluminium
Pantograph gear group size (mm)		213	213	213	213
Pantograph gear group width (mm)		345	345	345	345
Top gear group (irreversible)		aluminium	aluminium	aluminium	aluminium
Self weight (Kg)		14,3	15,1	16,4	17,3
Drop adjustment		via telescopic P.O.	via telescopic P.O.	via telescopic P.O.	via telescopic P.O.
Max Lifting speed (with motorized P.O) rpm		150 rpm	150 rpm	150 rpm	150 rpm
Lifting steel ropes diameter (mm)		2 x 2,5mm	2 x 2,5mm	2 x 2,5mm	2 x 2,5mm
Safety Factor		10	10	10	10
Standard top fixing		spigot 28mm (1-1/8")	spigot 28mm (1-1/8")	spigot 28mm (1-1/8")	spigot 28mm (1-1/8")
Standard bottom fixing		socket 29mm (1-1/8")	socket 29mm (1-1/8")	socket 29mm (1-1/8")	socket 29mm (1-1/8")
Special top/bottom fixing for LCD Mon/Speaker/Microphone/etc..		on request	on request	on request	on request
Lighting circuits standard with 16/32A, cable 3x2,5/3x4mmq, with plug/skt		1/2 on request	1/2 on request	1/2 on request	1/2 on request
AUX Circuits - DMX/Ethernet/Audio/Video/etc..		on request	on request	on request	on request
Volume pkg m ³ - standard PM600 pkg dimensions (60x100x30)cm		0,18m ³	0,18m ³	0,18m ³	0,18m ³
Weight pkg (Kg)		18,3	19,1	20,4	21,3